

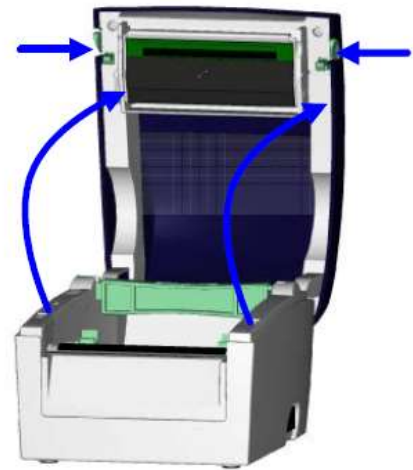
GoDEX DT4x -printer Brief Instruction

GoDEX DT4x labels 90 x 35 mm are suitable for the printer (Cat. no 155128). In one roll is 1667 labels.

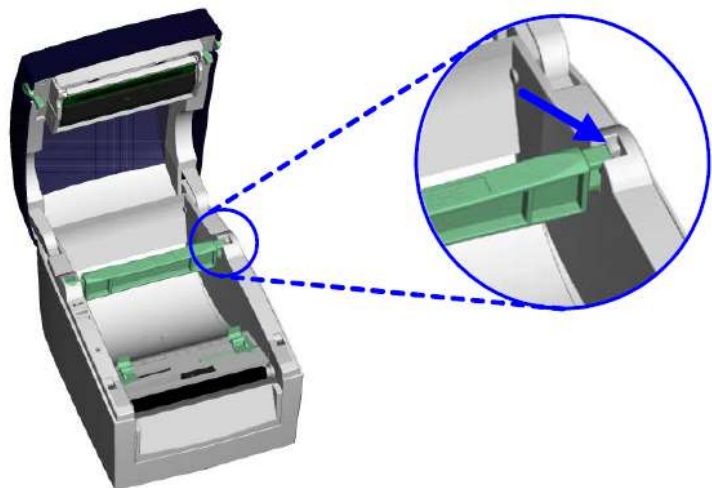
1. Printer setup

1.1 Loading the label roll

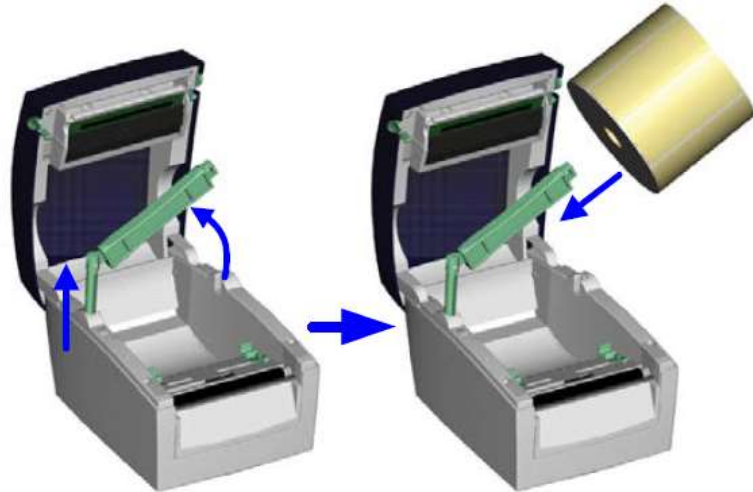
1. Place the printer on a flat surface and open the printer cover.



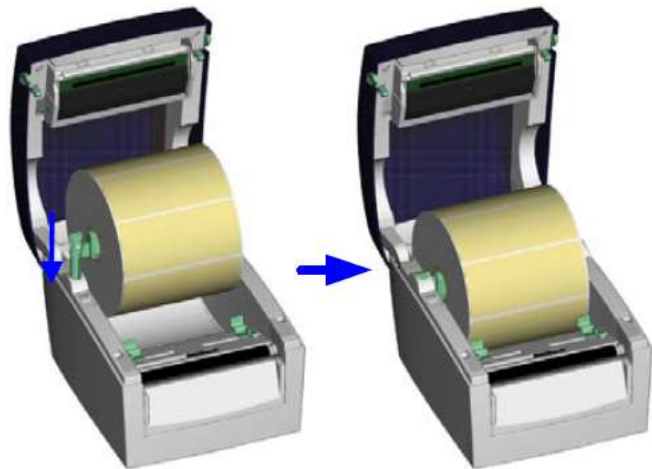
2. Release the label supply hub.



3. Lift the label roll holder and pull it out as far as possible.
4. Install the label roll on the label supply hub.



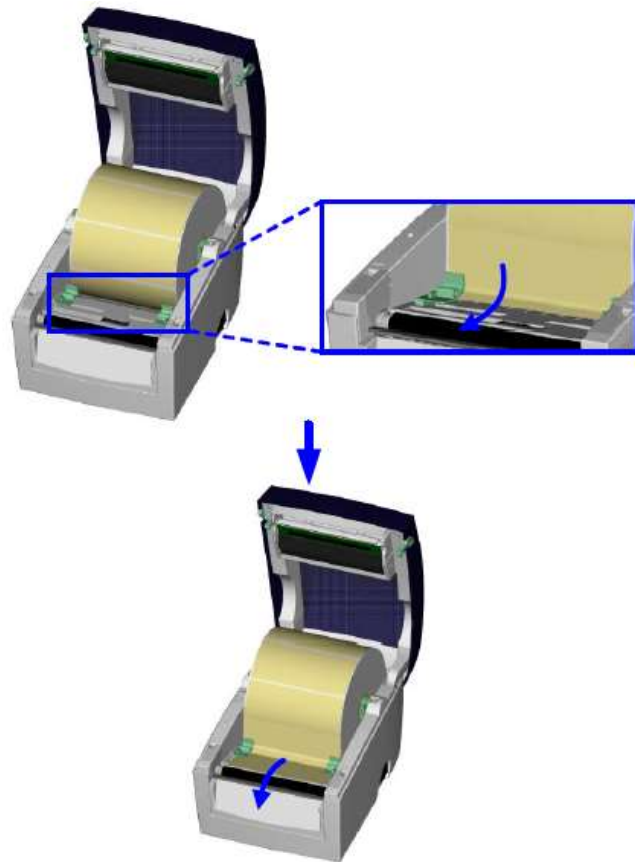
5. Now press the label roll holder down until it clicks into place.
6. Return the label roll holder to its original position.



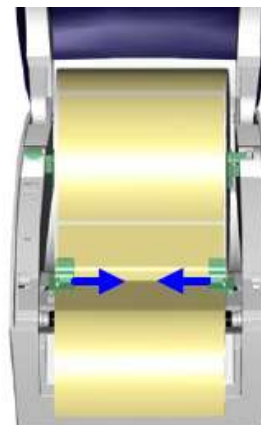
14.12.2022

Aidian Marketing

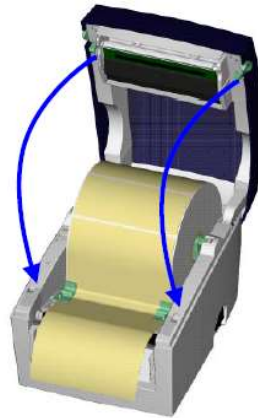
-
7. Pass the label under the paper guides and pull it forward.



-
8. Adjust the paper guides to the width of label printer.

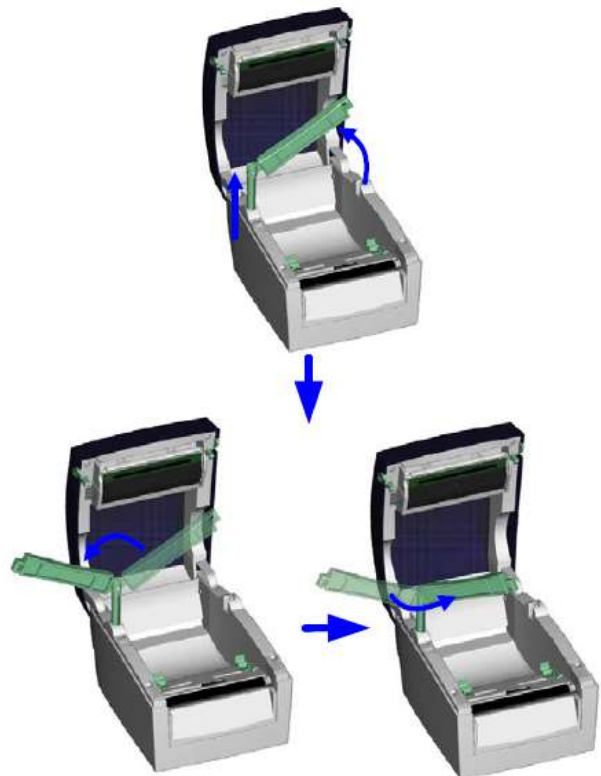


9. Close the printer cover to finish loading the labels.

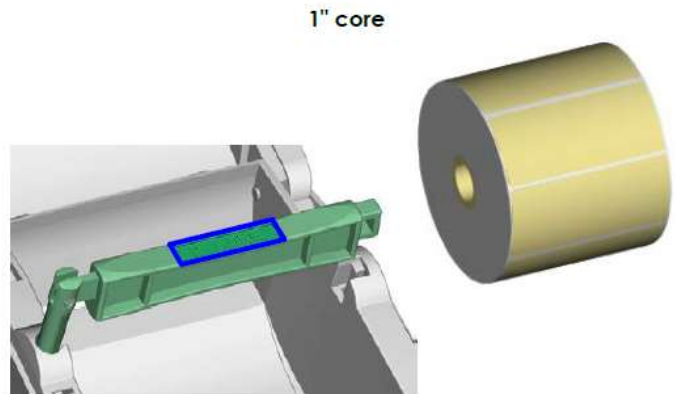


1.2 Installing the label roll holder

1. Pull the label roll holder out as far as it will go.
2. Fold out the label supply hub as shown in the illustration.
3. Now rotate the label holder to return the label supply hub to its original position. Press down the label supply hub until it clicks into place.



- 4. To load label stock with a 1 inch (2,5 cm) core the locking notch must be at the top of the label supply hub.




2 Operator panel

2.1 FEED button

When you press the FEED button, the printer moves the label to the defined stop position. If you are using continuous labels, pressing the FEED button will move label stock until you release the button again. If you are using individual labels, pressing the FEED button will move only one label. If the label does not stop at the correct position, you need to run the auto-detection function on the label stock (see Section 2.3).

2.2 LED status

Press the FEED button and keep it pressed, then switch on the printer. You will hear two beeps and the LED lights up red. Release the FEED button. The printer will now automatically measure the label size and then print a test page.

	LED indicator	Status	Description
	Green	Standby mode	The printer is ready for operation.
	Red (flashing)	Error mode	The printer has detected an error. (see Section 3-5. Error alerts)

14.12.2022

Aidian Marketing

2.3 Label size calibration

That means the host computer does not need to transmit the label height to the printer.

1. Check that the label sensor is positioned correctly.
2. Check that the label stock is loaded correctly.
3. Switch off the printer.
4. Switch on the printer, keeping the FEED button pressed. When the LED starts to flash red, release the FEED button. The printer will now measure the label stock and store the label height.
5. Once the printer has successfully measured the label stock, it will print a self-test label.